

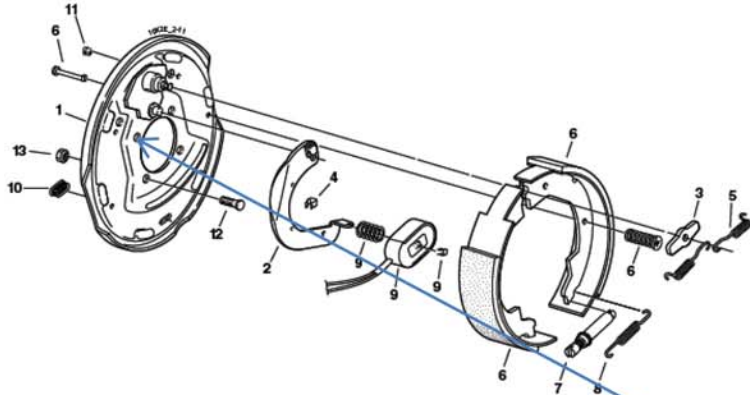
- 4400lbs Axle Capacity
- High Strength 3" Diameter Tube
- Straight or Drop Spindles (4" drop only)
- Torflex

Technical Bulletin

D44 10" x 2 1/4" Electric Brake Manual Adjust



CSA approved at 4400#/13.0 SLR



WTS Special Order Items

- K23-454-00 LH Brake Assembly Old Style
- K23-455-00 RH Brake Assembly Old Style
- K23-462-00 LH Brake Assembly New Style
- K23-463-00 RH Brake Assembly New Style
- K23-478-00 LH Brake Assembly Never Adjust New Style
- K23-479-00 RH Brake Assembly Never Adjust New Style
- 008-407-05 Drum 10" 655 1/2" Studs

Electric Brake Old Style Before 5/1/09

Item	Part No.	Qty/Brk	Description
ns	K23-454-00	1	LH Complete Brake Assembly
ns	K23-455-00	1	RH Complete Brake Assembly
1	036-019-16	1	Backing Plate Assembly
2	047-019-05	1	LH Actuating Lever Arm
2	047-020-05	1	RH Actuating Lever Arm
3	005-067-00	1	Washer
4	027-005-00	2	Wire Clip
5	046-009-00	2	Retractor Spring
6	K71-672-00	1	Shoe & Lining Kit Contains:
		1	#040-361-00 Primary Shoe & Lining
		1	#040-362-00 Secondary Shoe & Lining
		2	#049-002-00 Shoe Hold Down Pin #8
		2	#046-077-00 Shoe Hold Down Spring & Cup
7	043-004-00	1	Adjuster Assembly
8	046-018-00	1	Adjusting Screw Spring
9	K71-125-00	1	Magnet Kit Contains:
		1	#042-143-00 Magnet (black wire)
		1	#027-009-00 Magnet Clip
		1	#046-080-00 Magnet Spring
10	046-007-00	2	Adjuster Slot Plug
11	046-016-00	1	Wire Grommet
12	007-271-00	4	Brake Mounting Bolt - Press-in
*13	006-017-00	4	Brake Mounting Nut

Electric Brake New Style After 5/1/09

Item	Part No.	Qty/Brk	Description
0	K23-462-00	1	LH Complete Brake Assembly (shown)
0	K23-463-00	1	RH Complete Brake Assembly
1	036-019-19	1	Backing Plate Assembly
2	047-019-05	1	LH Actuating Lever Arm
2	047-020-05	1	RH Actuating Lever Arm
3	005-067-00	1	Washer
4	027-005-00	2	Wire Clip
5	046-009-00	2	Retractor Spring
6	K71-672-00	1	Shoe & Lining Kit Contains:
		1	#040-361-00 Primary Shoe & Lining
		1	#040-362-00 Secondary Shoe & Lining
		2	#049-002-00 Shoe Hold Down Pin #8
		2	#046-077-00 Shoe Hold Down Spring & Cup
7	043-004-00	1	Adjuster Assembly
8	046-018-00	1	Adjusting Screw Spring
9	K71-125-00	1	Magnet Kit Contains:
		1	#042-143-00 Magnet (black wire)
		1	#027-009-00 Magnet Clip
		1	#046-080-00 Magnet Spring
10	046-007-00	2	Adjuster Slot Plug
11	046-016-00	1	Wire Grommet
12	007-271-00	4	Brake Mounting Bolt - Press-in
*13	006-017-00	4	Brake Mounting Nut

Backing Plate bolt pattern is different between old style and new style
 Old Style: Top 2.83, Bottom 2.83 center to center
 New Style: Top 2.83, bottom 3.20 center to center
 Drum uses different bearing configuration and seal then 3.5k & 5.2k

Grease Lube Parts

Item	Part No.	Description
1	010-019-00	Grease Seal for E-Z Lube®
2	031-033-02	L68149 Inner Bearing Cone
3	031-033-01	L68111 Inner Bearing Cup
4	031-032-01	LM67010 Outer Bearing Cup
5	031-032-02	LM67048 Outer Bearing Cone
6	006-176-00	Spindle Nut
7	019-002-00	Cotter Pin (not used with E-Z Lube®)
8	021-001-00	Grease Cap
8A	021-042-01	Grease Cap for E-Z Lube®
8B	085-001-00	Rubber Plug for E-Z Lube®
9	005-023-00	Spindle Washer
28	006-191-00	Special Jam Nut for E-Z Lube® (after 2002)
29	006-190-00	Spindle Nut Retainer for E-Z Lube® (after 2002)

Hubs

Item	Part No.	Description	Bolt Circle
Hubs and Drums			
26	008-407-05	1/2" Stud	6 on 5.50

Studs & Wheel Nuts

Item	Part No.	Description
10	007-122-00	1/2-20 Pressed Wheel Stud
11	006-080-00	1/2-20 60° Cone Nut

